

# STREAM BOX

## (MMT/TLV/TS Recorder & Player) **1710A**



### Overview

This device is a **recorder/reproducer** for MMT/TLV and TS.

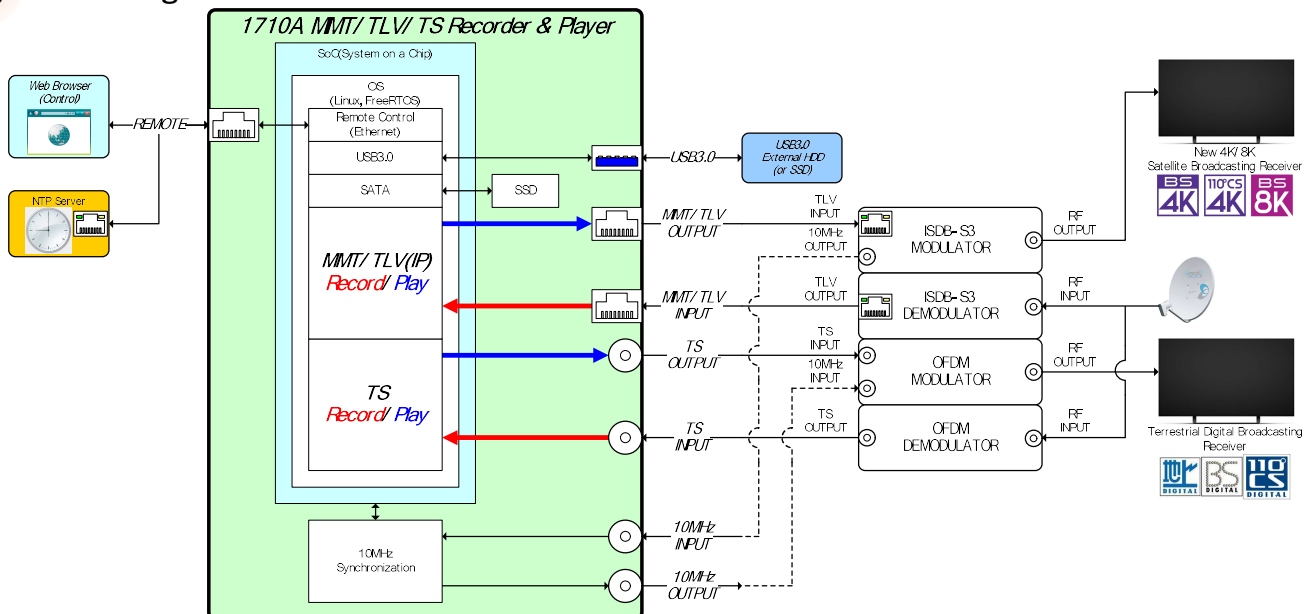
This device supports streams in the MMT/TLV format of the new 4K/8K broadcast and in the TS format of the BS/Wideband CS digital broadcast and the terrestrial digital broadcast. Therefore, this device can be used widely for the validation or the reproduction test.

### Features

- This device is **excellent to carry** and can be connected/controlled easy with other devices.
- This device can reproduce/record the data, according to the rate synchronized with **10 MHz signal supplied from an external device**.
- The **reproducing rate** is selectable.
  - MMT/TLV: pcap (Or pcapng) timestamp, frame timestamp (Inter-stationary TLV, connected TLV)
  - TS: Auto (\* Basing on PCR), Manual (\* The bit rate needs to be designated.)
- The **seamless repeated reproduction** is possible. (The information for the packet continuity can be renewed.)
  - MMT/TLV: MMTP packet, sequence number
  - TS: Continuity counter (CC)
- This device can **re-stamp** the time information of the packets and can **reproduce** the data.
  - MMT/TLV: NTP, time stamp of MMTP packet distribution, MPU time stamp descriptor, MH-TOT
  - TS: TOT
- This device can **record/reproduce data through external HDD or SSD connected by USB3.0**.
- The **designation of the recording start time (Reservation)** is possible.
- The **partial reproduction** designating the start/stop time is possible.
- This device can **display the reproduced/recorded stream classification and the bit rate**.



### System Configuration



## Interface

Input/Output	Item	Contents
MMT/TLV Input	Interface	100BASE-TX, 1000BASE-T (Auto-negotiation)
	Jumbo frame	9K Byte(Max.)
	Connector	RJ-45
	Q'ty of terminals	1
MMT/TLV Output	Interface	100BASE-TX, 1000BASE-T (Auto-negotiation)
	Jumbo frame	9K Byte(Max.)
	Connector	RJ-45
	Q'ty of terminals	1
TS Input	Interface	Corresponding to DVB-ASI standard (Burst mode, packet mode)
	Connector	BNC-R
	Q'ty of terminals	1
	Impedance	75Ω
TS Output	Interface	Corresponding to DVB-ASI standard (Burst mode, packet mode)
	Connector	BNC-R
	Q'ty of terminals	1
	Impedance	75Ω
10MHz Input	Frequency	Within 10MHz ± 1ppm
	Level	Within 0dBm ± 3dB
	Connector	BNC-R
	Q'ty of terminals	1
	Impedance	50Ω
10MHz Output	Frequency	Within 10MHz ± 1ppm
	Level	Within 0dBm ± 3dB
	Connector	BNC-R
	Numbers of terminals	1
	Impedance	50Ω
USB3.0	Connector	USB 3.0 Standard-A
	Q'ty of terminals	2
Control	Input/Output	10BASE-T, 100BASE-TX, 1000BASE-T (Auto-negotiation)
	Connector	RJ-45
	Q'ty of terminals	1

## Specifications

Item	Contents
Power source	Allowable range of input voltage: 90 VAC to 250VAC (50Hz/60Hz)
Dimensions (Excluding projections)	Width: 210 mm
	Height: 88 mm
	Depth: 400 mm
Weight	5 kg or less
Internal SSD capacity	500 GB